



# VERSIFLEECE



## HOT MOPPED AND COLD APPLIED ROOFING SYSTEMS



**VERSICO**  
ROOFING SYSTEMS

A SINGLE SOURCE FOR SINGLE-PLY ROOFING

**Versico**, PO Box 1289, Carlisle, PA 17013  
Tel: **800.992.7663** Fax: 717.960.4036 Web: **www.versico.com**



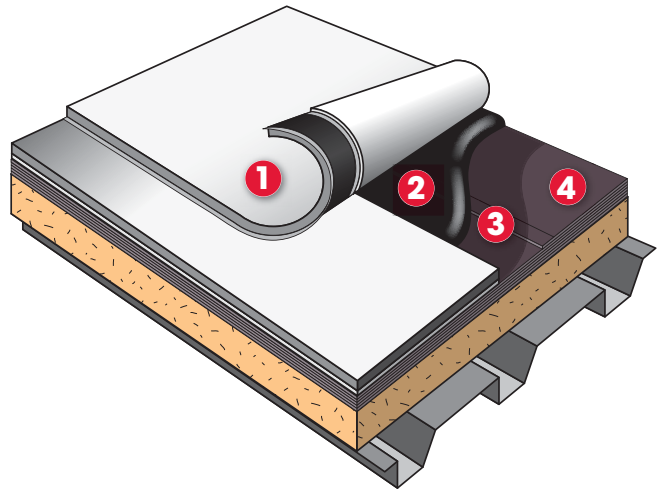
# VERSIFLEECE

## VERSIFLEECE® AC TPO HOT MOPPED AND COLD APPLIED ROOFING SYSTEMS

Both the Cold Applied and Hot Mopped Roofing Systems feature the use of Versico's VersiFleece AC (Asphalt Compatible) TPO membrane. Versico's AC non-woven fleece is specifically designed to resist asphalt saturation and staining.

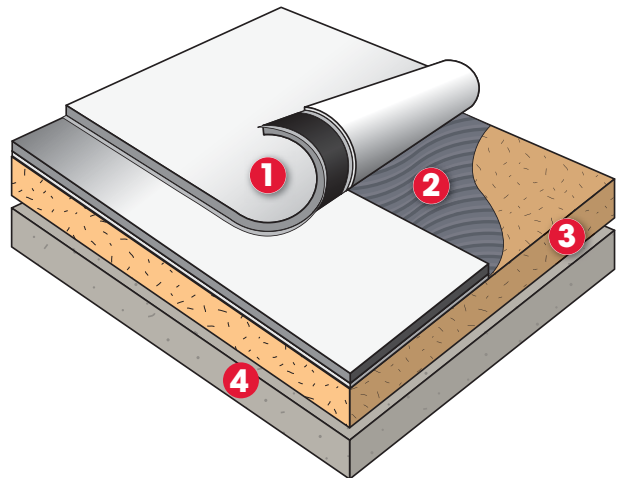
### FEATURES AND BENEFITS

- External fleece reinforcement creates a tough, durable sheet
  - 10-oz. fleece creates a 120-mil, 135-mil or 155-mil AC TPO sheet
- Greater puncture and tear resistance than non-fleece single-ply membranes
- Greater puncture resistance than Modified Bitumen
- Fewer seams than Modified Bitumen
  - 75% fewer seams with 12'-wide TPO sheet
- Passes FM's severe hail test
- VersiFleece white TPO sheet meets ENERGY STAR® and Cool Roof Rating Council requirements for reflectivity and emissivity helping to lower air-conditioning costs and reduce the heat-island effect in southern cities
- OctaGuard XT™ weathering package



### TYPICAL REROOF APPLICATION

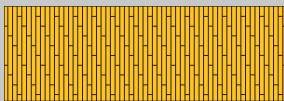
1. VersiFleece AC TPO
2. Type III, IV or Modified Asphalt
3. Asphalt Primer or Power Wash
4. Existing Modified Bitumen or Smooth BUR



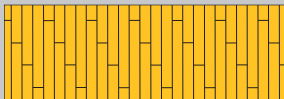
### TYPICAL NEW APPLICATION

1. VersiFleece AC TPO
2. Cold Applied Adhesive
3. Versico Polyiso Insulation
4. Approved Roof Deck

Modified Bitumen  
39 3/8" x 32' sheets  
7,369 LF of seams



VersiFleece AC TPO  
12' x 75' sheets  
1,804 LF of seams



### VERSICO TOTAL SYSTEM WARRANTIES

- 10-, 15-, 20- and 30-year Total System Warranties
- Wind speed coverage of 55 mph
- Hail resistance warranty available
- Puncture resistance warranty available
- Not pro-rated
- No dollar limit
- Inspected by Versico field service representatives

## HOT MOPPED AND COLD APPLIED ROOFING SYSTEMS



### VERSIFLEECE AC TPO HOT MOPPED ROOFING SYSTEM

Versico's Hot Mopped Roofing System was designed to provide a premium-performing TPO cap sheet when utilizing hot asphalt as an adhesive. One of the biggest issues of traditional asphalt-based roofing systems has historically been the lack of long-term UV resistance. Versico has solved this dilemma by utilizing the AC style fleece with its TPO membranes that have a long, proven track record of weatherability. The ability to recover existing asphalt-based roofing systems with a UV-resistant TPO VersiFleece AC membrane reduces installation costs and landfill waste.

#### Wide range of compatible substrates and insulations

- DensDeck® Prime, SECUROCK® and Versico Recovery Board
- Structural Concrete Deck
- Existing Smooth BUR, Modified Bitumen or Mineral Cap Sheet

#### Heat-weldable seams on TPO sheets

- Robotic welding ensures consistency and reliability
- Wide window of weldability

#### Environmentally friendly

- No torches required
- ENERGY STAR-qualified and Cool Roof Rating Council approved white TPO
- No chlorine or plasticizers used in TPO
- TPO resists biological growth



### VERSIFLEECE AC TPO COLD APPLIED ROOFING SYSTEM

Versico's Cold Applied Adhesive is an asphalt-modified polyether adhesive designed to be compatible with existing asphalt-based roofing systems like smooth BUR, SBS Modified and Mineral Cap Sheet. Cold Applied Adhesive is a thick, mastic-grade adhesive that exhibits elastomeric properties once it is cured, allowing it to withstand typical building movement. The Cold Applied Adhesive is VOC free, making it a great product for occupied buildings where asphalt kettle odors would normally be a problem. Another advantage of the Cold Applied Adhesive is that the squeegee or spreader application process is well suited for projects where roof access is limited or difficult.

#### Wide range of compatible substrates and insulations

- Polyiso insulation, DensDeck Prime, SECUROCK and Recovery Board
- Structural Concrete, Light Weight Insulating Concrete, Gypsum and Wood Deck

#### Heat-weldable seams on TPO sheets

- Robotic welding ensures consistency and reliability
- Wide window of weldability

#### Environmentally friendly

- Cold Applied Adhesive is VOC and solvent free
- Low odor and noise – great for re-roofing occupied buildings
- No asphalt fumes or hot kettles
- ENERGY STAR-qualified and Cool Roof Rating Council approved with white TPO
- No chlorine or plasticizers used in TPO
- TPO resists biological growth

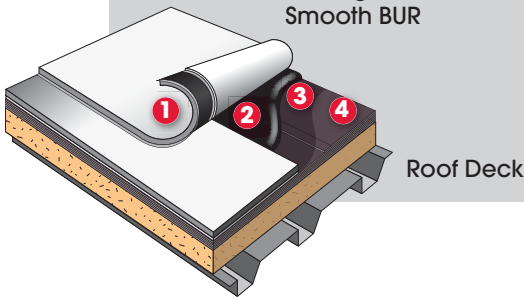


## TYPICAL VERSIFLEECE AC TPO ASSEMBLIES

### HOT MOPPED SYSTEMS

#### Re-roofing Modified Bitumen or smooth BUR

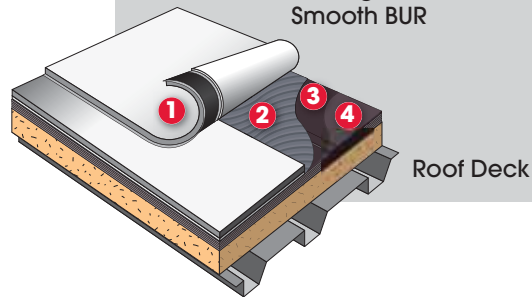
1. VersiFleece AC TPO
2. Type III, IV or Modified Asphalt
3. Asphalt Primer or Power Wash
4. Existing Modified Bitumen or Smooth BUR



### COLD APPLIED SYSTEMS

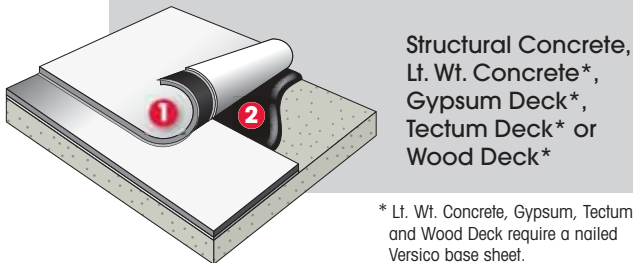
#### Re-roofing Modified Bitumen or smooth BUR

1. VersiFleece AC TPO
2. Cold Applied Adhesive
3. Asphalt Primer or Power Wash
4. Existing Modified Bitumen or Smooth BUR



#### Direct Assemblies

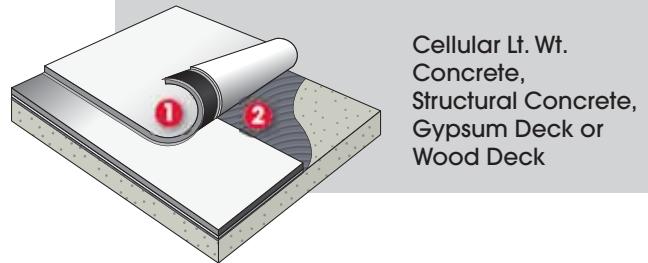
1. VersiFleece AC TPO
2. Type III, IV, or Modified Asphalt



\* Lt. Wt. Concrete, Gypsum, Tectum, and Wood Deck require a nailed Versico base sheet.

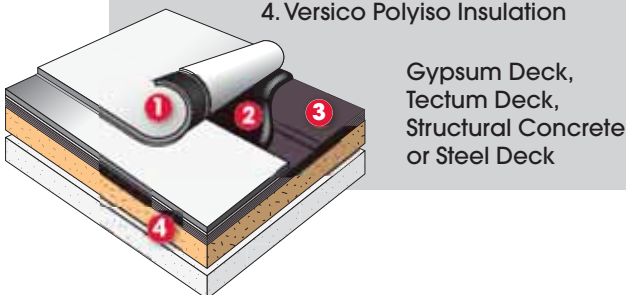
#### Direct Assemblies

1. VersiFleece AC TPO
2. Cold Applied Adhesive



#### Insulated Assemblies

1. VersiFleece AC TPO
2. Type III, IV or Modified Asphalt
3. DensDeck Prime or Versico Recovery Board
4. Versico Polyiso Insulation



#### Insulated Assemblies

1. VersiFleece AC TPO
2. Cold Applied Adhesive
3. Versico Polyiso Insulation

